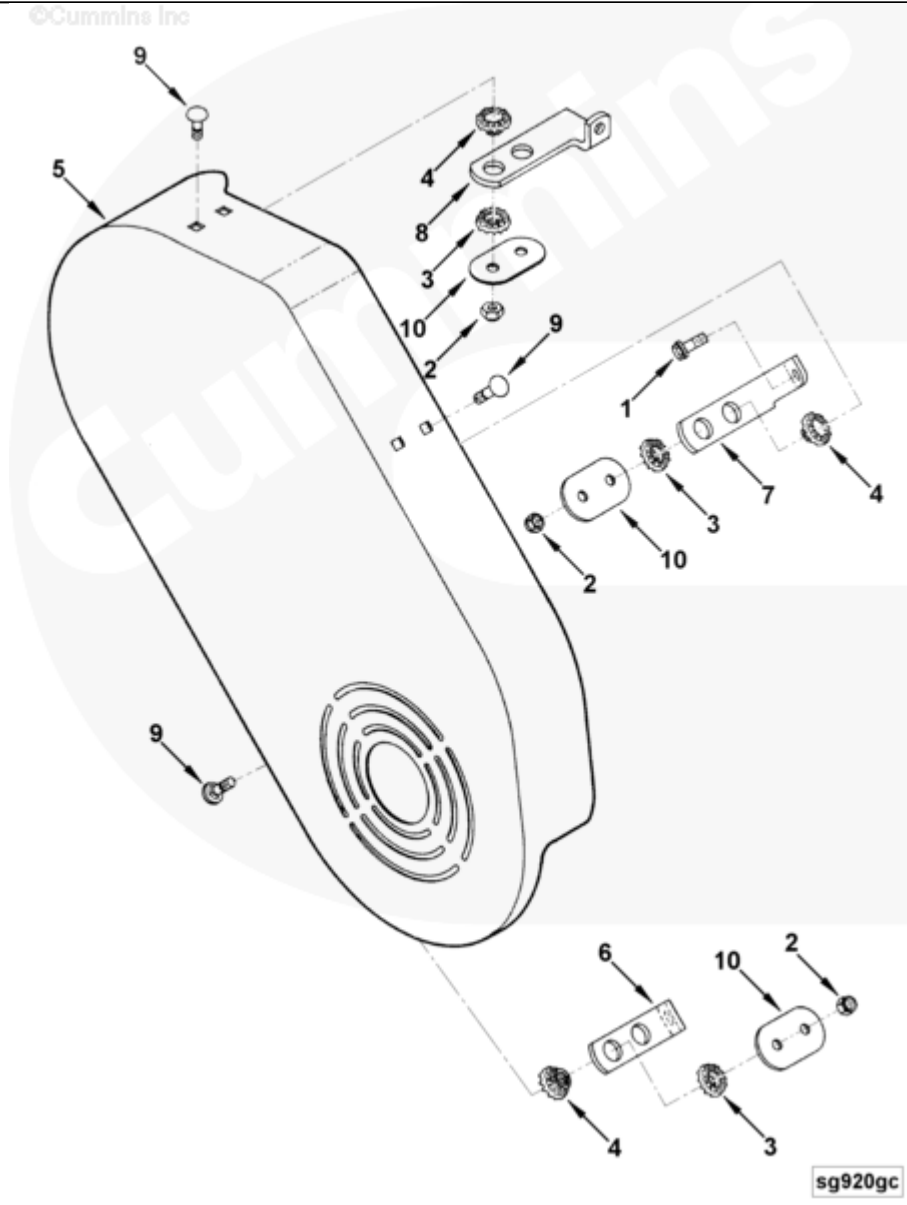




# Parts Catalog - Option Detail

| Electronic Parts Catalog - Option Detail |  |         |           |           |
|--|--|---------|-----------|-----------|
| Option                                   | Group  | Graphic | Film Card | Date      |
| SG9031-05                                | 15.03  | sg920gc | Z         | 08-OCT-98 |
| <b>Engines</b>                           | 6C8.3, C GAS PLUS CM556, G8.3, G8.3 CM558, GTA8.3 CM558, ISC CM2150, ISC CM554, ISC CM850, ISC8.3 CM2250, ISC8.3 G CM2180 C101, ISL CM2150, ISL CM554, ISL CM850, ISL G CM2180, ISL8.9 CM2150 L110, ISL8.9 CM2880 L112, ISL9 CM2150 SN, ISL9 CM2250, ISL9 CM2350 L101, ISL9 CM2350 L111, ISLE4 CM850, L GAS PLUS CM556, L8.9, L8.9 L121, L8.9G CMOH2.0 L125B, L9 CM2350 L116B, L9 CM2350 L119B, L9 CM2350 L120C, L9 CM2350 L123B, L9.3 L105, L9.5 L117, L9N CM2380 L124B, QSC8.3 CM2250, QSC8.3 CM2880 C102, QSC8.3 CM554, QSC8.3 CM850(CM2850), QSL9 CM2250, QSL9 CM2250 L115, QSL9 CM2350 L102, QSL9 CM2350 L107, QSL9 CM2350 L118, QSL9 CM2350 L122, QSL9 CM554, QSL9 CM850(CM2850), QSL9 G CM558, QSL9 M CM2250 L106, QSL9.3 CM2880 L113 |         |           |           |



SMALL | MEDIUM | LARGE

| Cart  | Ref No | Part Number               | Part Description              | Required | Remarks                       |
|---|--------|---------------------------|-------------------------------|----------|-------------------------------|
| <input type="button" value="View My Cart"/> |        |                           |                               |          |                               |
|   |        | <a href="#">SG9031-05</a> | Guard Package                 |          |                               |
|   |        |                           |                               |          | Front belt guard for use with |
|   |        |                           |                               |          | 20si alternator no fan drive  |
|   |        |                           |                               |          | configuration for "C" Series  |
|   |        |                           |                               |          | marine engines.               |
|   |        |                           |                               |          |                               |
| <input type="checkbox"/>                    | 1      | <a href="#">3900630</a>   | Hexagon Flange Head Cap Screw | 1        | M8 X 1.25 X 20                |
|   |        | <a href="#">3921633</a>   | Belt Guard                    | 1        |                               |
| <input type="checkbox"/>                    | 2      | <a href="#">109558</a>    | Lock Nut                      | 6        | 5/16-18 UNC-3B                |
| <input type="checkbox"/>                    | 3      | <a href="#">3035083</a>   | Vibration Isolator            | 6        |                               |
| <input type="checkbox"/>                    | 4      | <a href="#">3035084</a>   | Vibration Isolator            | 6        |                               |
| <input type="checkbox"/>                    | 5      | <a href="#">3897935</a>   | Belt Guard                    | 1        | 3925388 is to be primed as    |
|   |        |                           |                               |          | per CES 21073 (ecoat) and top |
|   |        |                           |                               |          | coated marine white as per    |
|   |        |                           |                               |          | CES 74032 (powder). After     |
|   |        |                           |                               |          | powder coating the parts are  |
|   |        |                           |                               |          | to be identified as 3897935   |
| <input type="checkbox"/>                    | 6      | <a href="#">3897933</a>   | Belt Guard Bracket            | 1        |                               |
|   |        |                           |                               |          | per CES 21073 (ecoat) and top |
|   |        |                           |                               |          | coated marine white as per    |
|   |        |                           |                               |          | CES 74032 (powder). After     |
|   |        |                           |                               |          | powder coating the parts are  |
|   |        |                           |                               |          | to be identified as 3897933   |
| <input type="checkbox"/>                    | 7      | <a href="#">3897934</a>   | Belt Guard Bracket            | 1        | 3921610 is to be primed as    |
|   |        |                           |                               |          | per CES 21073 (ecoat) and top |
|   |        |                           |                               |          | coated marine white as per    |
|   |        |                           |                               |          | CES 74032 (powder). After     |
|   |        |                           |                               |          | powder coating the parts are  |

|                          |    |                         |                    |   |                               |
|--------------------------|----|-------------------------|--------------------|---|-------------------------------|
|                          |    |                         |                    |   | to be identified as 3897934   |
| <input type="checkbox"/> | 8  | <a href="#">3897937</a> | Belt Guard Bracket | 1 | 3921611 is to be primed as    |
|                          |    |                         |                    |   | per CES 21073 (ecoat) and top |
|                          |    |                         |                    |   | coated marine white as per    |
|                          |    |                         |                    |   | CES 74032 (powder). After     |
|                          |    |                         |                    |   | powder coating the parts are  |
|                          |    |                         |                    |   | to be identified as 3897937   |
| <input type="checkbox"/> | 9  | <a href="#">3393823</a> | Carriage Bolt      | 6 |                               |
| <input type="checkbox"/> | 10 | <a href="#">3923360</a> | Clamping Plate     | 3 |                               |

© 2019 Cummins Inc., Box 3005, Columbus, IN 47202-3005 U.S.A.  
Terms of Use and Disclaimers | Recommended System Requirements  
Need Assistance? Please click on the Contact Us button in the top right corner of any page.